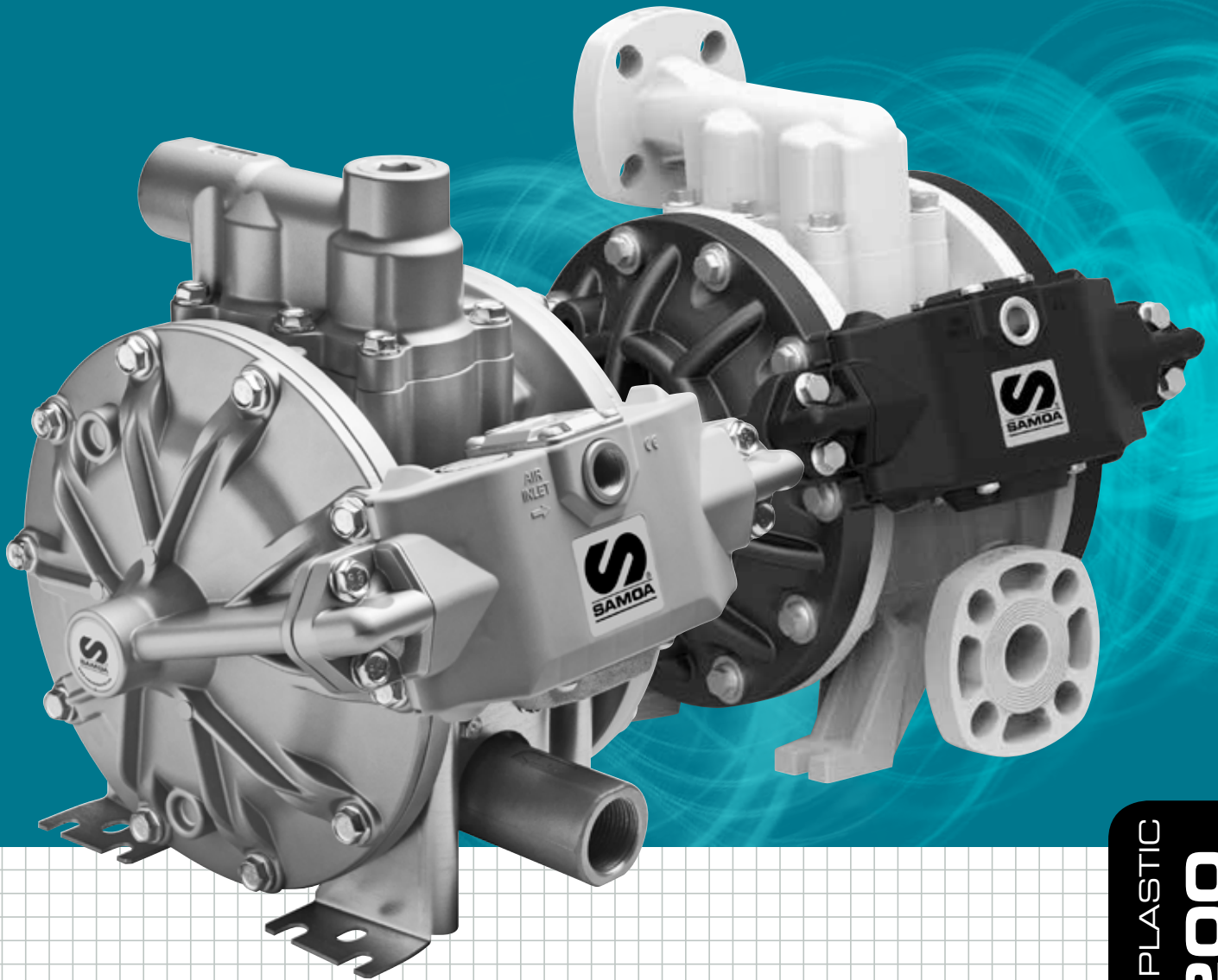


# PERFORMER SERIES

Enhanced Leading Technology



**DP200 1" Air Operated Diaphragm Pumps**

METAL & PLASTIC

**DP200  
PERFORMER**



## DP200 PERFORMER SERIES

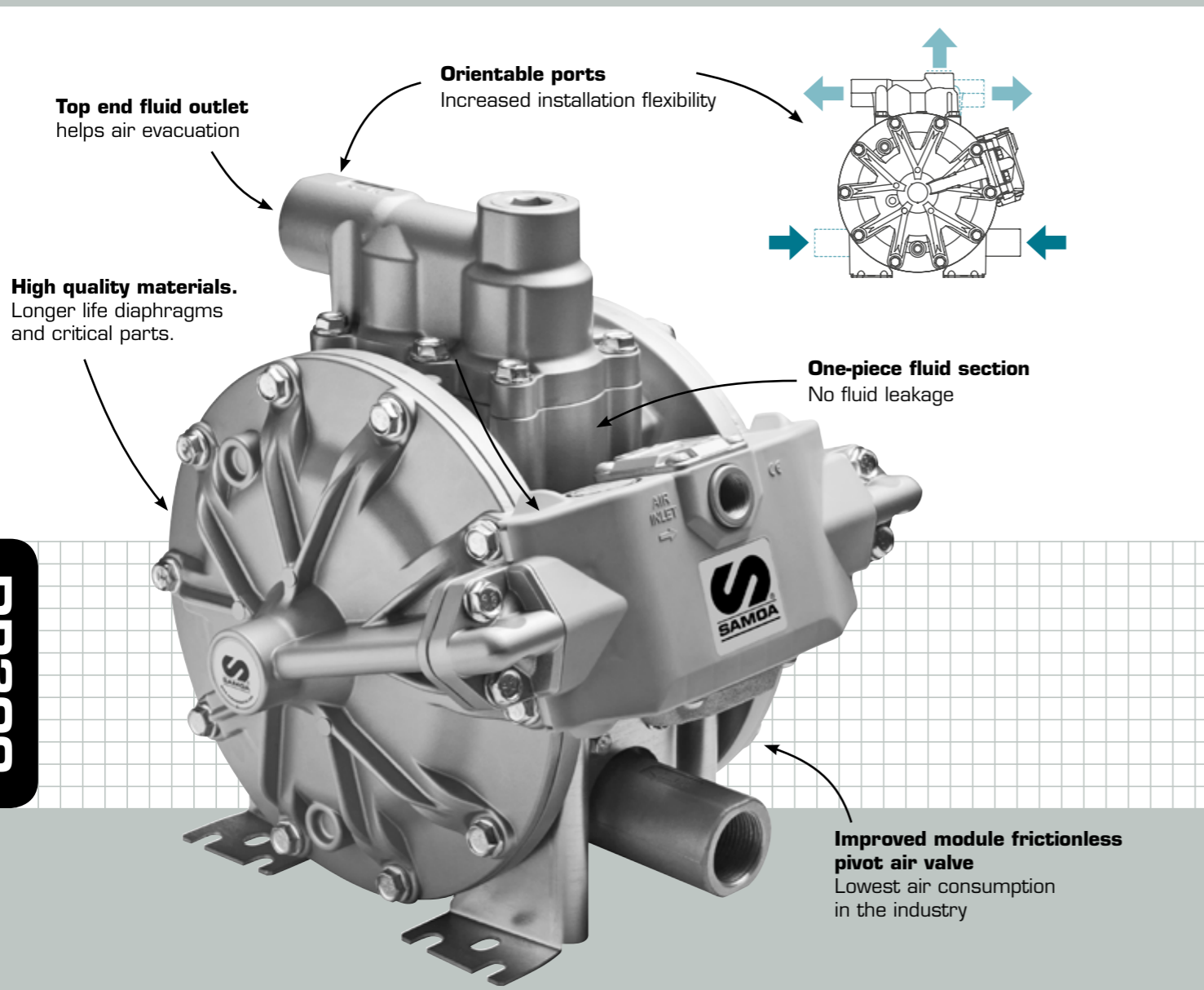
1" Air operated diaphragm pump. 200 l/min – 53 gal/min

The new SAMOA Directflo® 1" pump, DP200 Performer Series, is developed for maximum performance and efficiency exceeding market expectations.

### PERFORMER SERIES SET NEW STANDARDS IN DIRECTFLO® TECHNOLOGY

- ▶ New check valve design.
- ▶ Improved air motor.
- ▶ Top end fluid outlet.
- ▶ Orientable ports.

- Higher suction capacity.
- Reduced air consumption.
- Shorter strokes.
- Better resistance to abrasion.
- Less stress in parts.
- Better trapped air evacuation.



## DP200 PERFORMER SERIES

1" Air operated diaphragm pump. 200 l/min – 53 gal/min

### THE NEW PERFORMER SERIES MAKE THE DIFFERENCE THROUGH:

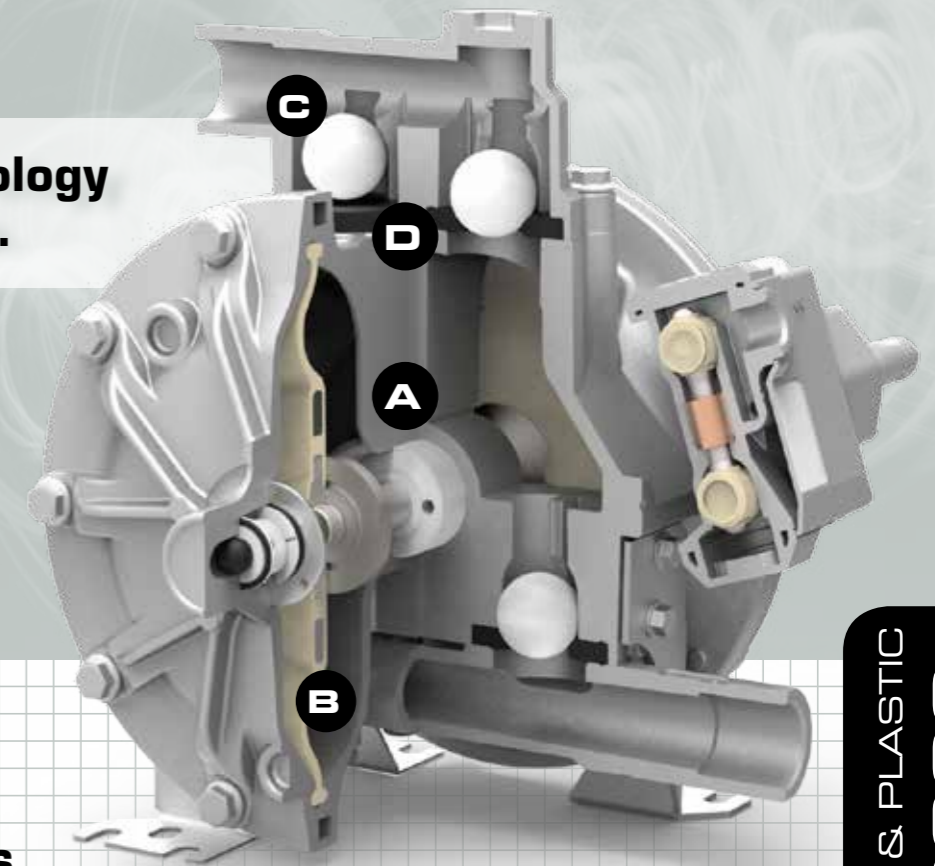
**HIGHER EFFICIENCY.** Maximum fluid flow with minimum air consumption.

**INCREASED RELIABILITY.** No stall, non icing, reliable start up and longer duration.

**MAXIMUM VERSATILITY.** Orientable inlet and outlet ports offer multiple mounting options and large material selection offer maximum fluid compatibility.

**EASY SERVICING.** Exclusive Directflo® central flow design allows servicing diaphragms and air motor without dismounting it from the fluid line.

### Directflo® technology better by design.



### AVAILABLE MATERIALS

SAMOA offers a wide range of material options for maximum chemical compatibility and to stand abrasion, temperature and stress material caused by demanding conditions.

#### A- PUMP BODY

Metal pumps:  
Aluminum  
Stainless steel

Plastic pumps:  
Polypropylene  
Conductive Polypropylene  
Conductive Acetal  
PVDF  
Conductive PVDF

#### B- DIAPHRAGMS

Hytrel®  
Santoprene  
Buna N  
PTFE

#### C- CHECK VALVE BALLS:

Stainless steel (AISI 316)  
Buna N  
Acetal  
PTFE  
Hytrel®  
Santoprene®

#### D- CHECK VALVES SEATS:

Hard seats:  
Aluminum  
Stainless steel (AISI 316)  
Polypropylene  
Acetal  
PVDF

Soft seats:  
Buna N  
Hytrel®  
Santoprene®

Exclusive Directflo® pump technology.

PROVEN SUPERIOR PERFORMANCE | SIMPLE | RELIABLE | DURABLE | COMPACT | SMOOTH RUNNING | COST EFFICIENT

METAL & PLASTIC  
**DP200 PERFORMER**

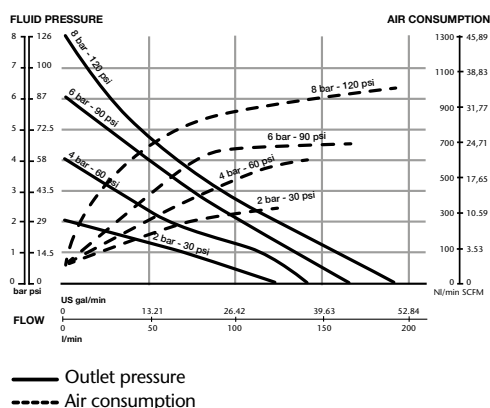


# DP200 PERFORMER SERIES

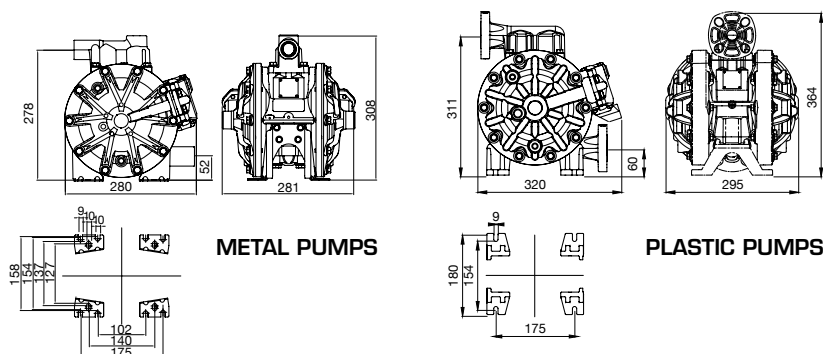
## TECHNICAL DATA

	METAL	PLASTIC
PRESSURE RATIO	1:1	1:1
MAXIMUM FREE DELIVERY	200 l/min	200 l/min
AIR PRESSURE OPERATING RANGE	1,5 to 8 bar	1,5 to 8 bar
SOLIDS IN SUSPENSION MAXIMUM SIZE	6 mm	6 mm
MAXIMUM DRY SUCTION LIFT	5 m	5 m
MAXIMUM WET SUCTION LIFT	8 m	8 m
FLUID INLET AND OUTLET CONNECTIONS	1" BSPP (F)	1" Flange
AIR INLET CONNECTION	3/8" NPSM (F)	3/8" NPSM (F)
AIR VALVE	Frictionless Pivoting Valve	Frictionless Pivoting Valve
PUMP BODY	Metal	Plastic
OTHER WETTED PARTS	See available materials	See available materials
APPLICATIONS	Most applications with the right configuration. <b>Very robust design for the toughest applications.</b>	Most applications with the right configuration. <b>Recommended for some submersible applications and aggressive atmospheres.</b>

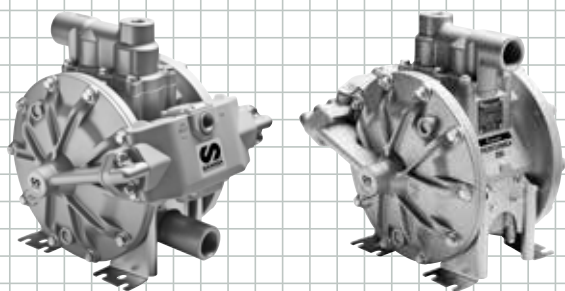
## PERFORMANCE CURVES



## DIMENSIONS (mm)



**DP200  
PERFORMER**



### SAMOA INDUSTRIAL, S.A. - HEADQUARTERS

Pol. Ind. Porceyo, I-14 • Camino del Fontán, 831  
 E-33392 Gijón (Asturias) SPAIN  
 Tel.: +34 985 381 488 - Fax: +34 985 147 213  
[flow@samoaindustrial.com](mailto:flow@samoaindustrial.com) / [www.samoaindustrial.com/flow](http://www.samoaindustrial.com/flow)

© Copyright, SAMOA Industrial, S.A.

SAMOA Industrial, S.A. is an ISO 9001, ISO 14001 and OHSAS 18001 certified company.